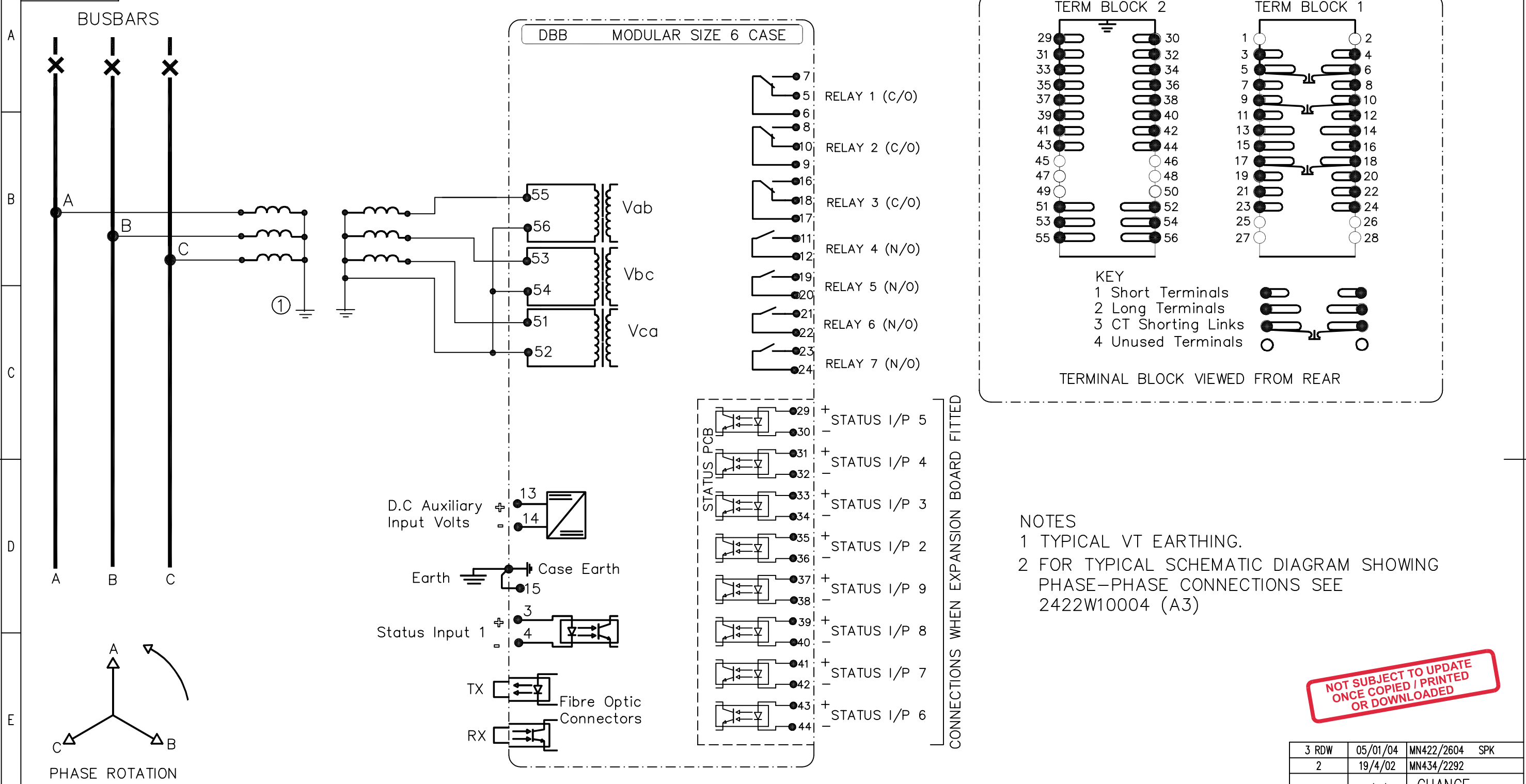


IF IN DOUBT ASK
DO NOT SCALE



NOTES
1 TYPICAL VT EARTHING.
2 FOR TYPICAL SCHEMATIC DIAGRAM SHOWING PHASE-PHASE CONNECTIONS SEE 2422W10004 (A3)

NOT SUBJECT TO UPDATE
ONCE COPIED / PRINTED
OR DOWNLOADED

3	RDW	05/01/04	MN422/2604	SPK
2		19/4/02	MN434/2292	
1		28/11/99	CHANGE	
ISSUE		DATE	NOTED	△

MATERIAL:

Dimensions in millimetres : Surface texture in micrometres. Machine where marked ✓ For explanation of dimensions, tolerances, notes etc. see B.S.308. Limit on untoleranced unmachined dimensions ± _____ Limits on untoleranced machined dimensions to B.S.4500; i.e. up to 6±0.1; over 30 to 120±0.3; over 315±0.8; over 6 to 30±0.2; over 120 to 315±0.5; General unmachined angular tolerance ± _____	Finish: _____ Treatment: _____	Title: TYPICAL SCHEMATIC DIAGRAM 3 PHASE VOLTAGE RELAY PHASE-NEUTRAL CONNECTIONS (OPTION C) ARGUS 8	First used on: Similar Articles: 2422W10003 Supersedes:
	Reyrolle Protection Hebburn.	Original Scale: NTS	Drg. No. 2422W10006

DRAWN	M LEASK	CHECKED	APPROVED	R.D.WATSON	DATE	22/07/02	IE	OPS	PCP	Purch.Spec.	TQ	EAC	CE	STD	A3
-------	---------	---------	----------	------------	------	----------	----	-----	-----	-------------	----	-----	----	-----	----